

UHP CDR3 Pressure Regulators

High Pressure Tied Diaphragm Series



GTC Features

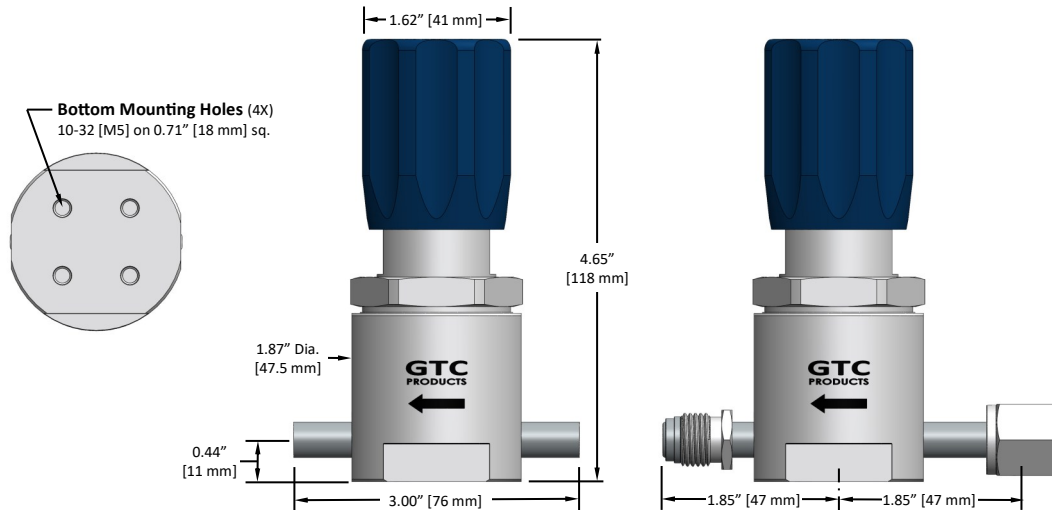
- High Flow Capacity - 1.0 Flow Ratio
- UHP Springless Tied-Diaphragm Design (no springs in wetted flow path)
- Outlet Pressure Ranges are Factory Set and/or User Adjustable
- All Regulators can operate in Vacuum conditions

Technical Data

Specification	R203	R206	R210	R215
Outlet Pressure Range Presets	Vacuum to 30 psig	Vacuum to 60 psig	Vacuum to 100 psig	Vacuum to 150 psig
Maximum Inlet Pressure	3300 psig (230 bar)			
Proof / Burst Pressure	150% / 300% of operating pressures			
Flow Capacity Ratio*	1.0			
Operating Temperature	-20° to 160° F (option: Vespel™ -20° to 300° F)			
Helium Leak Rate - Inboard	1 x 10 ⁻⁹ scc/s He			
Supply Pressure Effect	0.9 psig outlet pressure increase per 100 psig inlet pressure decrease			
Wetted Surface Roughness	10 Ra Max			
Wetted Surface Body Mat'l	316L VAR Stainless Steel			
Wetted Surface Other Mat'l	Diaphragm: Elgiloy™, Seat: PCTFE (optional Vespel™), Poppet: (optional Hastelloy™ C-22)			

*Inlet PSIG x Flow Capacity Ratio = Max SLPM N2. Flow Capacity Ratio provides an easier and truer indication of flow capacity (rather than using the misleading Cv comparisons).

Dimensions



Ordering Information R210-CDR3-2A-TT -VS

Outlet Pressure Range

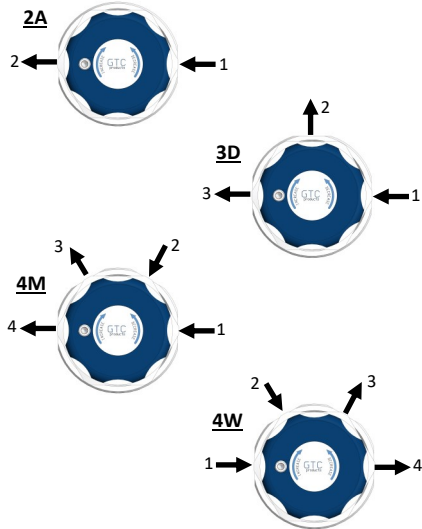
- R203 - Vac to 30 psig
- R206 - Vac to 60 psig
- R210 - Vac to 100 psig
- R215 - Vac to 150 psig

Body Series

CDR3 - High Pressure Tied Diaphragm Series

Porting

- 2A - 2 Port
- 3D - 3 Port
- 4M - 4 Port
- 4W - 4 Port



1 2 3 4
Ports

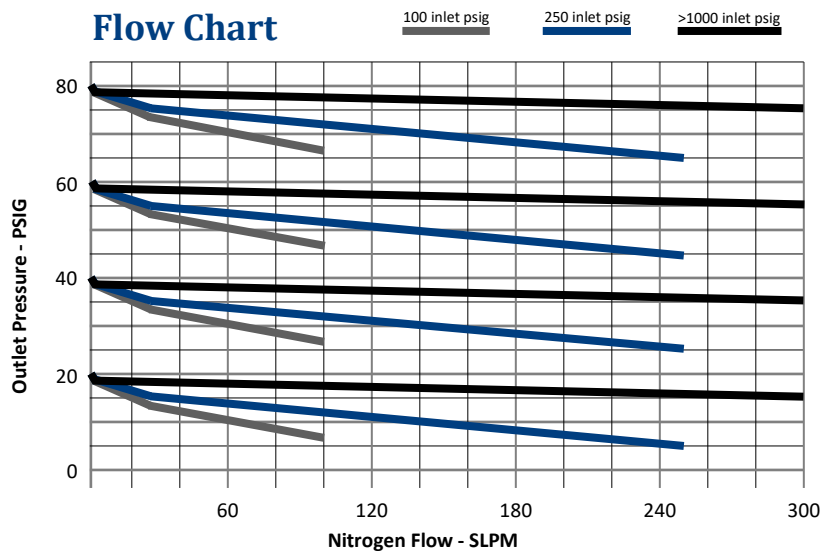
Options

VS - Vespel™ Seat

Connections

- T - 3/8" Tube Stub
- F - 1/4" Female Face Seal, Hi-Flo
- M - 1/4" Male Face Seal, Hi-Flo
- I - 1/4" Internal "Gasket-less" Face Seal

Flow Chart



GTC PRODUCTS

www.gtc-products.com