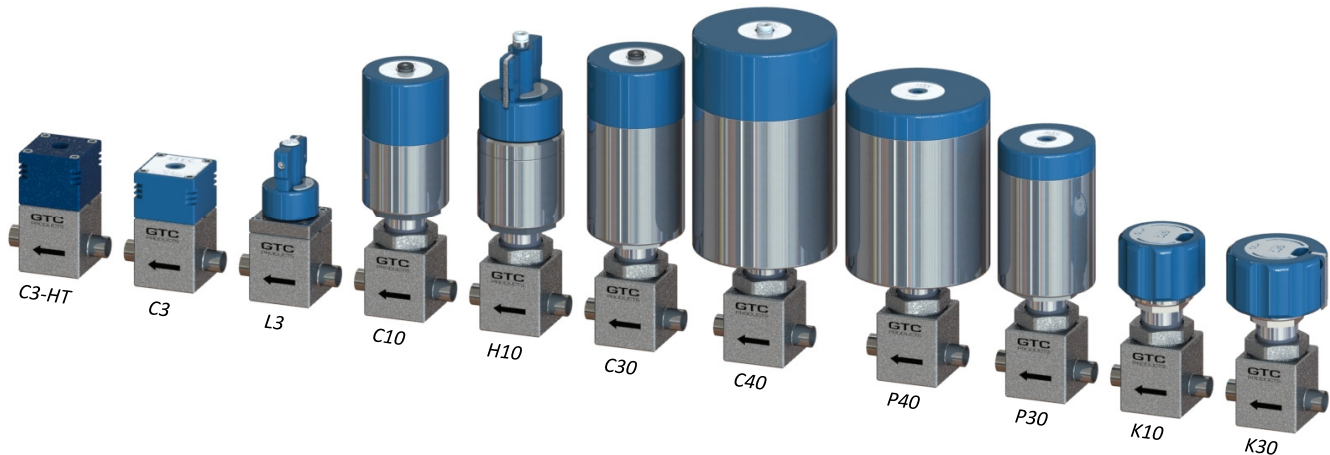


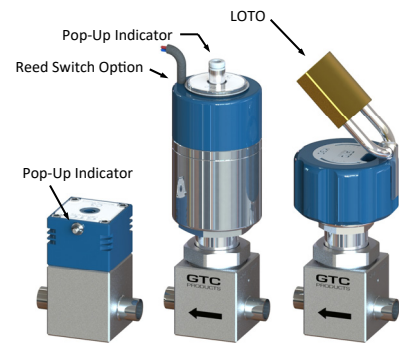
UHP DV3 Diaphragm Valves

“High Flow” Series



GTC Features

- Springless Metal Diaphragm Design
- Serviceable, Modular Valves with Replaceable Seats
- Pneumatic N.C. Actuators with Pop-Up Status Indicators
- Manual Actuator with Metal Handle, Positive Stop, and LOTO
- Hybrid Valve H10 Requires Both Manual and Pneumatic to Open
- Multi-port Configurations; 13 standard porting configurations
- High Temp (400F) Option Available for C3, K10, and K30 Valves



Technical Data

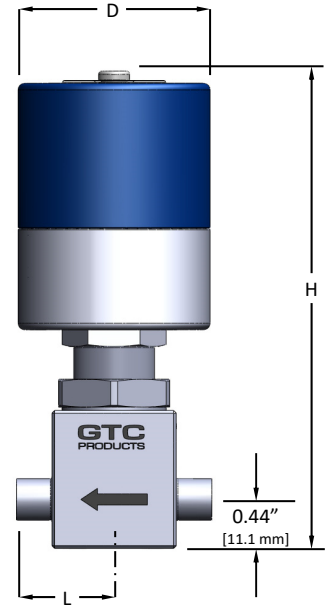
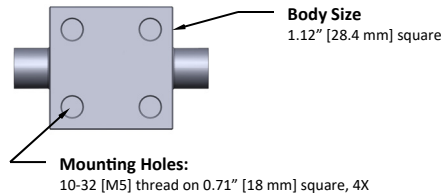
Specification	C3-HT	C3	L3	C10	H10	C30	C40	P40	P30	K10	K30
Actuation Type	Pneumatic N.C.	Pneumatic N.C.	Manual 3/4 turn LOTO	Pneumatic N.C.	Manual 3/4 turn, LOTO, with Pneumatic N.C.	Pneumatic N.C.	Pneumatic N.C.	Pneumatic N.O.	Pneumatic N.O.	Manual 1/2 turn	Manual 1/2 turn LOTO
Actuation Port	1/16" FNPT	10-32	n/a	1/8" OD Tube	1/8" OD Tube	1/8" OD Tube	1/8" OD Tube	10-32 / M5	10-32 / M5	n/a	n/a
Actuation Pressure	70-120 psig	70-120 psig	n/a	70-120 psig	70-120 psig	70-120 psig	70-120 psig	70-120 psig	70-120 psig	n/a	n/a
Operating Pressure	Vac-125 psig	Vac-150 psig	Vac-500 psig	Vac-250 psig	Vac-250 psig	Vac-1500 psig	*Vac-3300 psig	Vac-3300 psig	Vac-1500 psig	Vac-500 psig	*Vac-3300 psig
Expected Cycle Life	250K	500K	250K	1M	250K	50K	50K	50K	50K	500K	50K
Operating Temp	-40° to 400°F	-20° to 160° F (Vespel seat option: -20° to 300° F)									
Seat Material	PFA	PCTFE (PFA and Vespel™ optional)									
Flow Coefficient Cv	0.5										
Proof / Burst Pressure	4,500 psig / 9,000 psig										
Internal Volume	2.7 cc										
Helium Leak Rate	1 x 10 ⁻⁹ scc/s He										
Wetted Surface Finish	10 Ra Max Electropolished										
Wetted Surface Body	316L VAR Stainless Steel										
Wetted Surface Other	Diaphragm: Elgiloy™										

* Pressure Rating for G1 valve bodies:
2500 psig with PCTFE seat
3300 psig with Vespel seat

* Pressure Rating for G2 valve bodies:
3300 psig with PCTFE or Vespel seat

Dimensions

Specification	C3-HT	C3	L3	C10	C30	C40	P40	P30	H10	K10	K30
Overall Height (H)	2.20"	2.10"	2.80"	4.48"	5.21"	6.1"	5.2"	4.82"	5.33"	3.16"	3.16"
Actuator Diameter (D)	1.12" sq.	1.12" sq.	1.12" sq.	1.50"	1.69"	2.50"	2.50"	1.69"	1.50"	1.50"	1.75"
Tube Stub Length (L)	0.880" [22.3 mm]										
1/4" Hi-Flo Female FS (L)	1.39" [35 mm]										
1/4" Hi-Flo Male FS (L)	2.06" [52 mm]										
1/2" Female Face Seal (L)	1.49" [38 mm]										
1/2" Male Face Seal (L)	2.16" [55 mm]										



Ordering Information: C10-DV3-2A-TXTX-VS

Actuator

- C3** - Low Pressure, N.C.
- C10** - Low Pressure, N.C.
- C30** - Med Pressure, N.C.
- C40** - High Pressure, N.C.
- P30** - Med Pressure, N.O.
- P40** - High Pressure, N.O.
- H10** - Low Pressure, N.C., with 3/4 Turn, LOTO
- K10** - Low Pressure, 1/2 Turn
- K30** - High Pressure, 1/2 Turn, LOTO
- L3** - Med Pressure, 3/4 Turn, LOTO

Body Series

- DV3** - High Flow

Porting

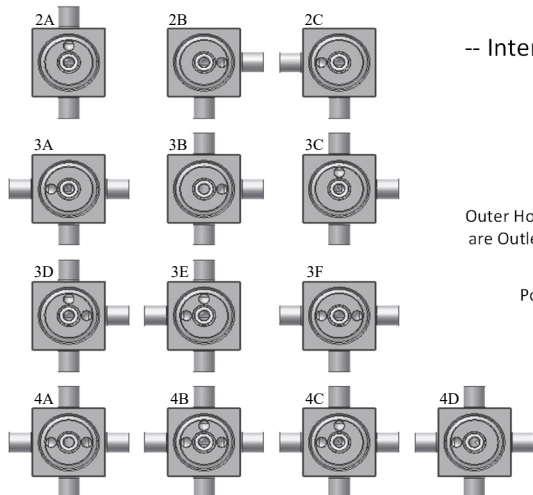
1 2 3 4
Ports

Options

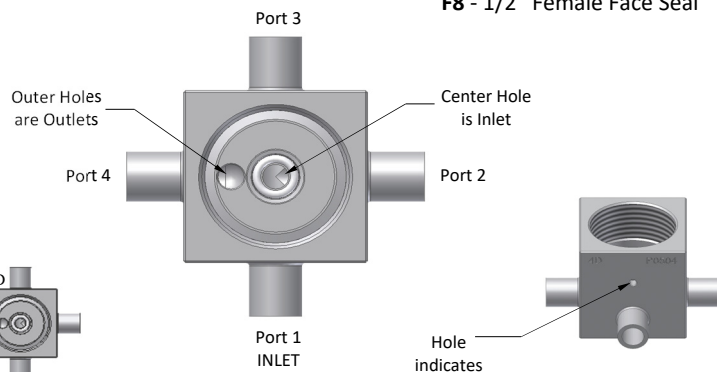
- B5** - Bleed Seat
- FA** - PFA Seat (250 max psig)
- VS** - Vespel™ Seat
- HT** - High Temp (for C3/K10/K30)
- RS** - Reed Switch (for C10/C30/C40)
- BK** - Black Handle Color
- GR** - Green Handle Color
- RD** - Red Handle Color
- WH** - White Handle Color
- YW** - Yellow Handle Color

Connections

- X** - (No port)
- T** - 3/8" Tube Stub
- 4** - 1/4" Tube Stub
- 8** - 1/2" Tube Stub
- M** - 1/4" Hi-Flo Male Face Seal
- F** - 1/4" Hi-Flo Female Face Seal
- M8** - 1/2" Male Face Seal
- F8** - 1/2" Female Face Seal



-- Internal Top View --



GTC PRODUCTS

www.gtc-products.com