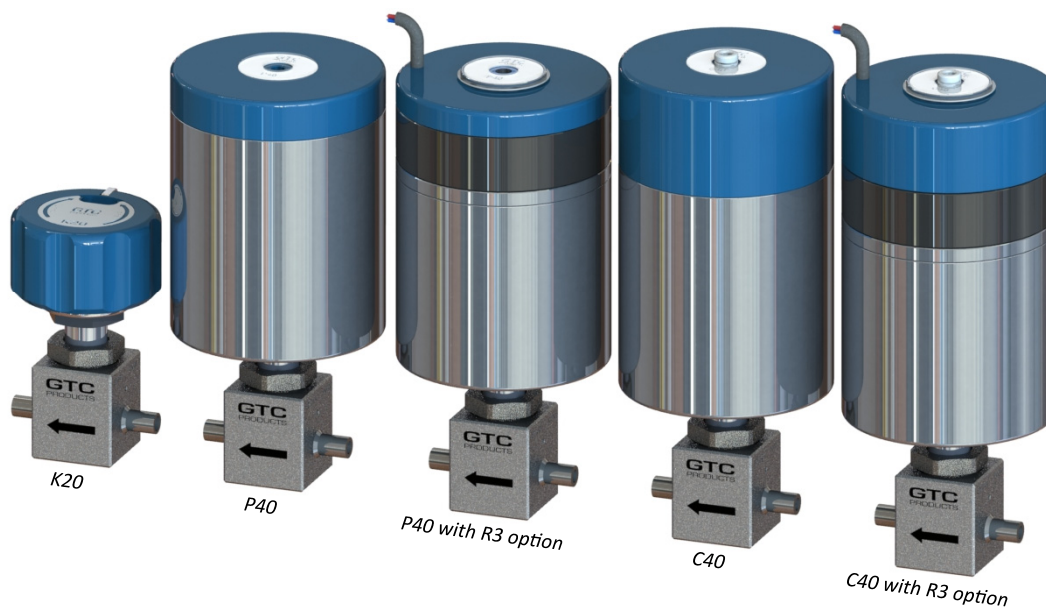


# UHP SDV2 Diaphragm Valves

6200 PSIG Max Operating Pressure



## GTC Features

- 6,200 Psig Max Operating Pressure
- Springless Metal Diaphragm Design
- 1/4" OD tube stubs with .049" wall thickness
- C40 N.C. Actuator with Pop-Up Status Indicator
- K20 Manual Actuator with Lock-Out Tag-Out (LOTO)
- Inline and Multi-port Configurations Available

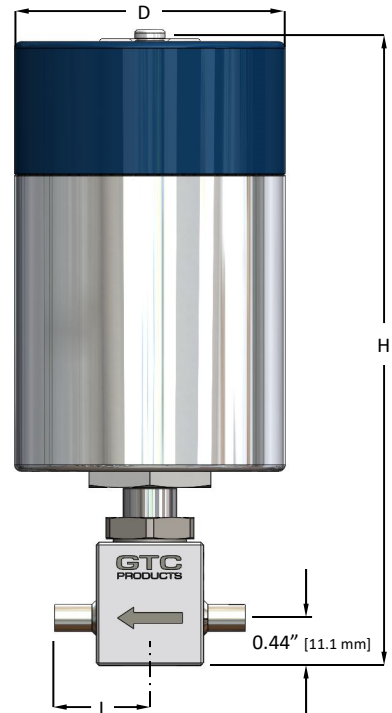
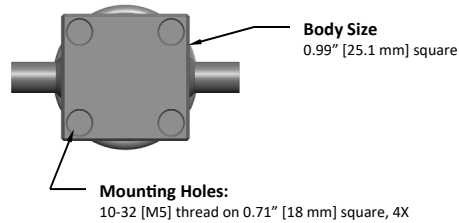
## Technical Data

Specification	C40	P40	K20
Actuation Type	Pneumatic N.C.	Pneumatic N.O.	Manual 1/4 Turn, LOTO
Actuation Port	1/8" OD Tube	10-32 / M5	n/a
Actuation Pressure	75 to 120 psig	75 to 120 psig	n/a
Operating Pressure	Vac to 6200 psig		
Proof / Burst Pressure	150% / 300% of operating pressures		
Flow Coefficient Cv	0.16		
Internal Volume	0.7 cc		
Operating Temperature	-20° to 300° F		
Helium Leak Rate	1 x 10 <sup>-9</sup> scc/s He		
Wetted Surface Roughness	10 Ra Average		
Wetted Surface Chemistry	Cr/Fe ≥ 1.5, CrO/FeO ≥ 2.0		
Wetted Surface Body Mat'l	316L VAR Stainless Steel		
Wetted Surface Other Mat'l	Diaphragm: Elgiloy™, Seat: Vespel™		



## Dimensions

Specification	C40	P40	K20
Overall Height (H)	5.8" [147 mm]	5.0" [127 mm]	3.0" [76 mm]
Actuator Diameter (D)	2.50" [64 mm]	2.50" [64 mm]	1.75" [44 mm]
Tube Stub Length (L)	0.880" [22.3 mm]		
Swivel Female Length (L)	1.39" [35 mm]		
Swivel Male Length (L)	1.99" [51 mm]		
Fixed Male Face Seal (L)	1.15" [29 mm]		



## Ordering Information: C40-SDV2-2A-TXTX-VS

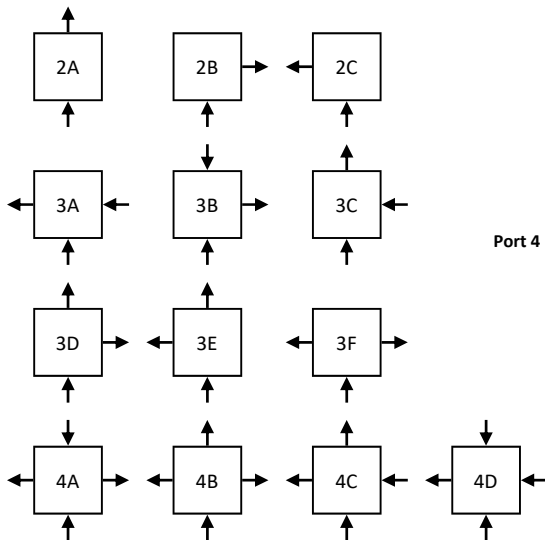
### Actuator

- C40** - Pneumatic, N.C. (normally closed)
- P40** - Pneumatic, N.O. (normally open)
- K20** - Manual, 1/4 Turn, LOTO

### Body Series

- SDV2** - 6200 PSIG Pressure Series

### Porting



1 2 3 4  
Ports

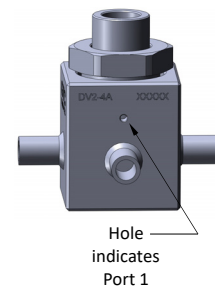
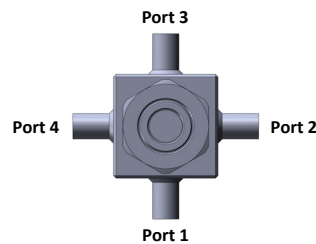
### Options

- VS** - Vespe<sup>TM</sup> Seat (standard)
- RS** - Reed Switch (C40/P40 original)
- R2** - Reed Switch (C40/P40 new)
- R3** - Reed Switch (C40/P40 w/mag shield)
- BK** - Black Handle Color
- GR** - Green Handle Color
- RD** - Red Handle Color
- WH** - White Handle Color
- YW** - Yellow Handle Color

### Connections

- X** - (No port)
- T** - 1/4" Tube Stub, .049" wall
- F** - 1/4" Swivel Female Face Seal
- M** - 1/4" Swivel Male Face Seal
- V** - 1/4" Fixed Male Face Seal

-- Top View --



GTC PRODUCTS

www.gtc-products.com