

UHP DV4 Diaphragm Valves

“Bulk Flow” Series



GTC Features

- Compact 1/2" Diaphragm Valve Design
- Serviceable, Modular Valves with Replaceable Seat Capsules
- C30 and C40 Pneumatic Actuators with Pop-Up Status Indicators
- Manual Actuator with Metal Handle, Positive Stop, and LOTO
- Replaceable Actuators without exposing wetted areas to atmosphere
- Multi-port Configurations available

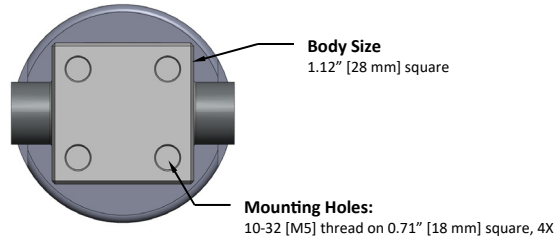


Technical Data

Specification	K30	C30	C40	P30	H30
Actuation Type	Manual 1/2 Turn, LOTO	Pneumatic N.C.	Pneumatic N.C.	Pneumatic N. Open	Hybrid 3/4 Turn Manual w/LOTO and Pneumatic N.C.
Actuation Port	n/a	1/8" OD Tube	1/8" OD Tube	10-32/M5	1/8" OD Tube
Actuation Pressure	n/a	70 to 120 psig	70 to 120 psig	70 to 120 psig	70 to 120 psig
Operating Pressure	Vac to 1500 psig*	Vac to 1000 psig*	Vac to 1500 psig*	Vac to 500 psig	Vac to 1000 psig*
Expected Cycle Life	30K				
Flow Coefficient Cv	1.0				
Differential Back Pressure*	500 psid Max				
Proof / Burst Pressure	150% / 300% of operating pressures				
Internal Volume	5.4 cc				
Operating Temperature	-20° to 160° F (Vespel seat option: -20° to 300° F)				
Helium Leak Rate	1 x 10 ⁻⁹ scc/s He				
Wetted Surface Roughness	10 Ra Max				
Wetted Surface Chemistry	Cr/Fe ≥ 1.5, CrO/FeO ≥ 2.0				
Wetted Surface Body Mat'l	316L VAR Stainless Steel				
Wetted Surface Other Mat'l	Diaphragm: Elgiloy™, Seat: PCTFE (optional Vespel™)				

Dimensions

Specification	K30	C30	C40	P30	H30
Overall Height (H)	3.5" [89 mm]	5.6" [142 mm]	6.5" [165 mm]	5.1" [129 mm]	6.9" [176 mm]
Actuator Diameter (D)	1.75" [44 mm]	1.69" [43 mm]	2.50" [64 mm]	1.69" [43 mm]	2.5" [64 mm]
Tube Stub Length (L)	0.880" [22.3 mm]				
1/2" Female Face Seal Length (L)	1.49" [38 mm]				
1/2" Male Face Seal Length (L)	2.16" [55 mm]				
3/4" Face Seal (L)	2.40" [61 mm]				



Ordering Information: C30-DV4-2A-TXTX-VS

Actuator

- C30** - Pneumatic, N.C., 1000 psig
- C40** - Pneumatic, N.C., 1500 psig
- K30** - Manual, 1/2 Turn, LOTO, 1500 psig
- P30** - Pneumatic, Normally Open, 500 psig
- H30** - Hybrid, 3/4 Turn, LOTO, N.C., 1000 psig

Body Series

- DV4** - Bulk Series

Porting

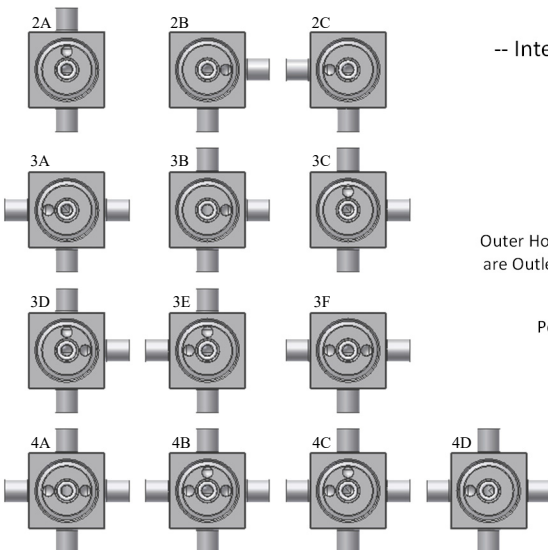
1 2 3 4
Ports

Options

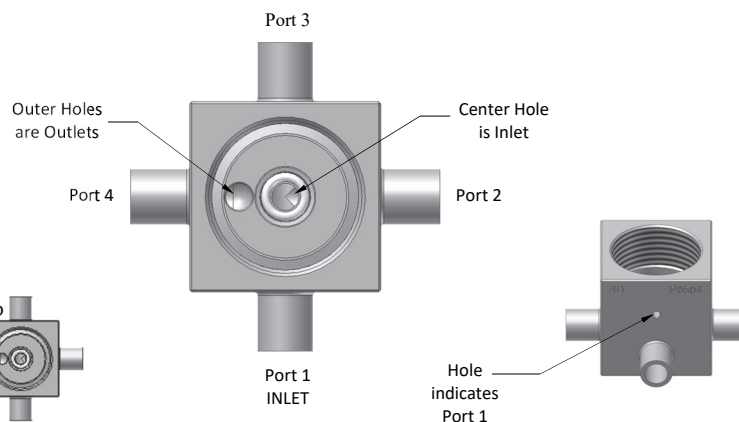
- VS** - Vespel™ Seat
- BK** - Black Handle Color
- GR** - Green Handle Color
- RD** - Red Handle Color
- WH** - White Handle Color
- YW** - Yellow Handle Color

Connections

- X** - (No port)
- T** - 1/2" Tube Stub
- M** - 1/2" Male Face Seal
- F** - 1/2" Female Face Seal
- M12** - 3/4" Male Face Seal
- F12** - 3/4" Female Face Seal



-- Internal Top View --



GTC PRODUCTS

www.gtc-products.com