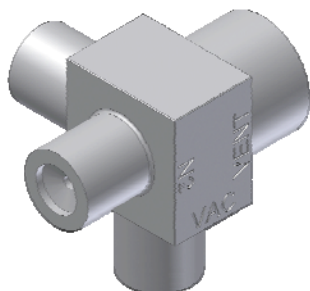


# Vacuum Generators

“Micro Weld” Series

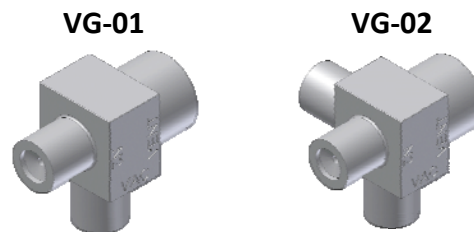
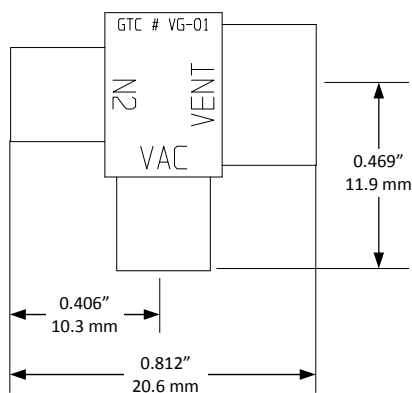


VG-02— Quad Tee Vacuum Generator

**VG-01** is a miniature Vacuum Generator Tee with standard 1/4” tube stubs at the Nitrogen and Vacuum ports. The Vent port comes standard with a 3/8” tube stub.

**VG-02** is a miniature Vacuum Generator Quad Tee. The fourth port, a 1/4” tube stub, is a vacuum port used to attach a vacuum gauge or pressure sensor.

Typical applications include vacuum assisted purging of process gas lines, a common feature found in gas cabinets and VMB’s.



Specification	
Drive Gas	Nitrogen
Inlet (Drive) Pressure	60 to 90 psig [4 to 6.2 bar]
Ultimate Vacuum	26” Hg.
Drive Gas Consumption	50 to 65 slpm
Operating Temperature	-10° to 150° F (23° to 65° C)
Wetted Materials	316L VAR Stainless Steel

