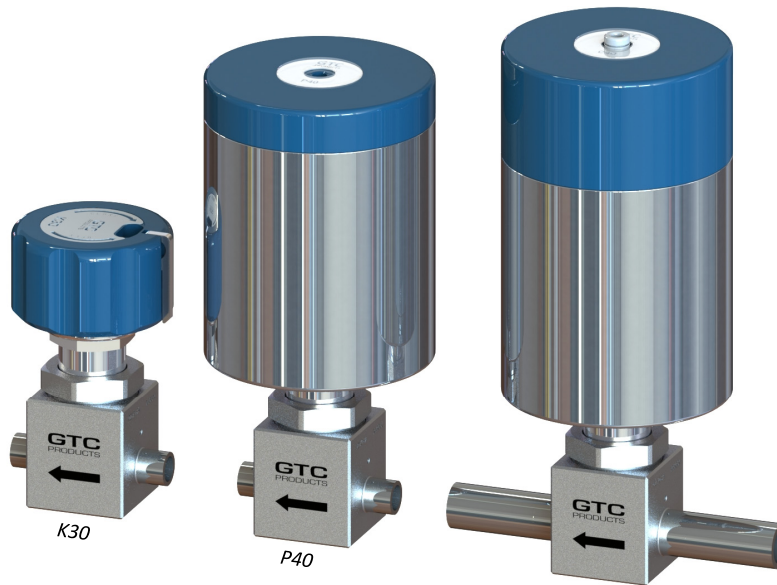


UHP SDV3 Diaphragm Valves

4500 PSIG Max Operating Pressure at 0.5 Cv



C40
(shown with 1/2" tube stubs [-8X8X]
with 1" tube length extensions [-E1])

GTC Features

- 4,500 Psig Max Operating Pressure at 0.5 Cv
- Springless Metal Diaphragm Design
- 3/8" and 1/2" OD tube stubs with thick wall thickness
- C40 N.C. Actuator with Pop-Up Status Indicator
- K30 Manual Actuator with Lock-Out Tag-Out (LOTO)
- Inline and Multi-port Configurations Available

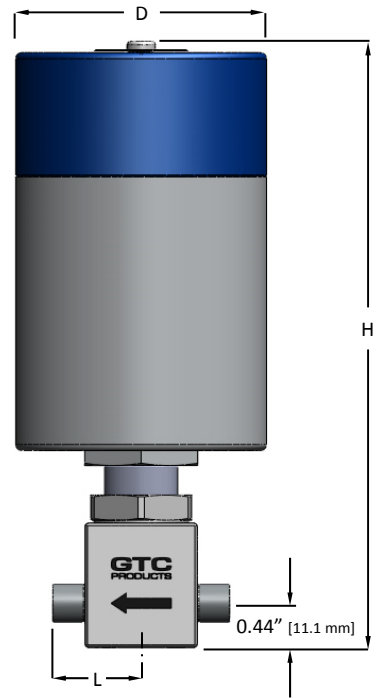
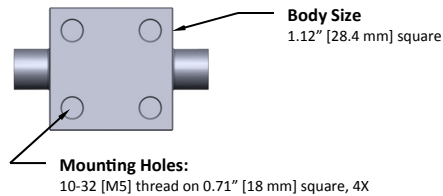
Technical Data

Specification	K30	P40	C40
Actuation Type	Manual 1/2 Turn, LOTO	Pneumatic N.O.	Pneumatic N.C.
Actuation Port	n/a	10-32/M5	1/8" OD Tube
Actuation Pressure	n/a	75 to 120 psig	75 to 120 psig
Operating Pressure	Vac to 4,500 psig		
Proof / Burst Pressure	150% / 300% of operating pressures		
Flow Coefficient Cv	0.5		
Internal Volume	2.7 cc		
Operating Temperature	-20° to 300° F		
Helium Leak Rate	1 x 10 ⁻⁹ scc/s He		
Wetted Surface Roughness	10 Ra Max		
Wetted Surface Chemistry	Cr/Fe ≥ 1.5, CrO/FeO ≥ 2.0		
Wetted Surface Body Mat'l	316L VAR Stainless Steel		
Wetted Surface Other Mat'l	Diaphragm: Elgiloy™, Seat: Vespel SP-1		



Dimensions

Specification	K30	C40	P40
Overall Height (H)	3.2" [81 mm]	6.1" [155 mm]	5.2" [132 mm]
Actuator Diameter (D)	1.75" [44 mm]	2.50" [64 mm]	2.50" [64 mm]
Tube Stub Length (L)	0.880" [22.3 mm]		



Ordering Information: C40-SDV3-2A-TXTX-VS

Actuator

- C40** - Pneumatic, N.C.
- P40** - Pneumatic, N.O.
- K30** - Manual, 1/2 Turn, LOTO

Body Series

- SDV3** - 4500 PSIG Pressure Series

Porting

1 2 3 4
Ports

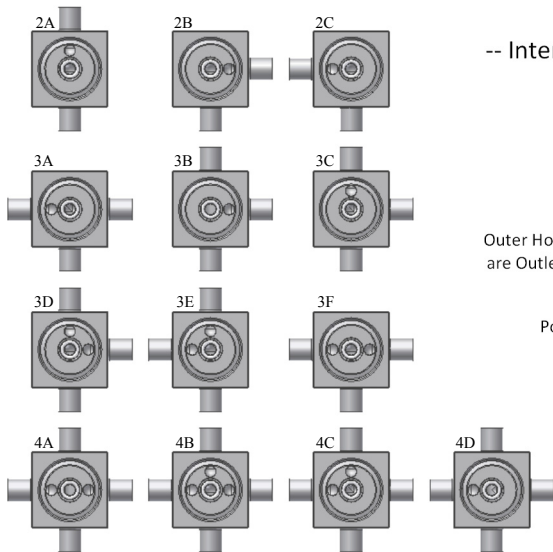
Options

- VS** - VespeTM Seat (standard)
- RS** - Reed Switch (C40/P40)
- E1** - Tube Extensions, 1"
- BK** - Black Handle Color
- GR** - Green Handle Color
- RD** - Red Handle Color
- WH** - White Handle Color
- YW** - Yellow Handle Color

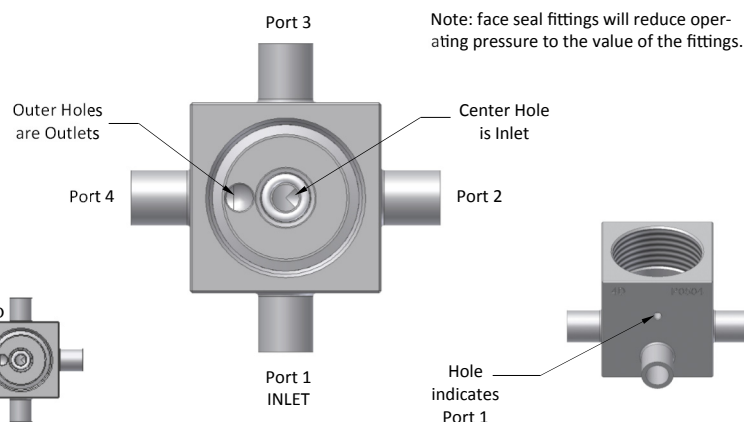
Connections

- X** - (No port)
- T** - 3/8" Tube Stub, .049" wall
- 8** - 1/2" Tube Stub, .065" wall

Note: face seal fittings will reduce operating pressure to the value of the fittings.



-- Internal Top View --



GTC PRODUCTS

www.gtc-products.com