

Split Collar Fitting

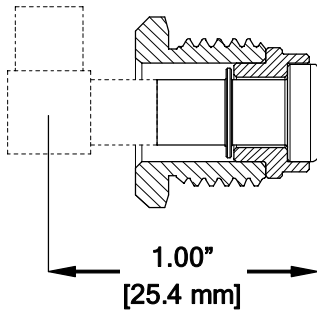
Fitting Assembly



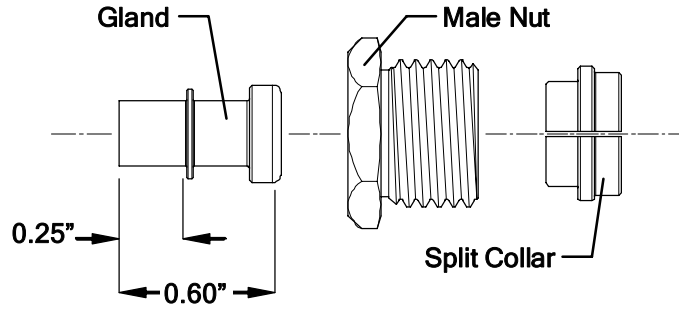
SCF-01 -- SCF Male Fitting Assembly

SCF-01 is a very short swivel 1/4" male face seal fitting assembly consisting of 3 pieces; gland, male nut, and split collar. This fitting allows the user to fabricate very short male face seal fittings and welded assemblies using conventional orbital tube welding equipment. No special equipment is needed. Installation is simple;

- 1) weld Gland to component tube stub,
- 2) slide Male Nut over Gland,
- 3) insert Split Collar and slide Male Nut forward over Split Collar.



Typical dimension to the center of a standard 1/4" Micro Weld Fitting



SCF-01-Elbow



SCF-01-Tee



SCF-01-Cross

Part	Material - Wetted / Non Wetted
Gland	316L VAR SS, 10 Ra
Male Nut	304 Stainless Steel
Split Collar	304 Stainless Steel

