

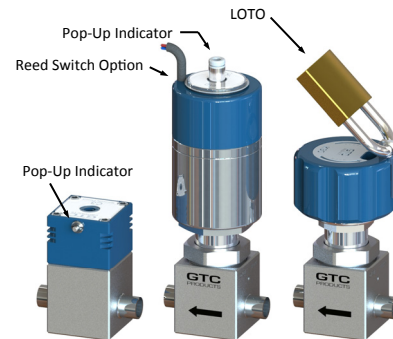
UHP DV3 Diaphragm Valves

“High Flow” Series



GTC Features

- Springless Metal Diaphragm Design
- Serviceable, Modular Valves with Replaceable Seats
- Pneumatic N.C. Actuators with Pop-Up Status Indicators
- Manual Actuator with Metal Handle, Positive Stop, and LOTO
- Hybrid Valve H10 Requires Both Manual and Pneumatic to Open
- Multi-port Configurations; 13 standard porting configurations



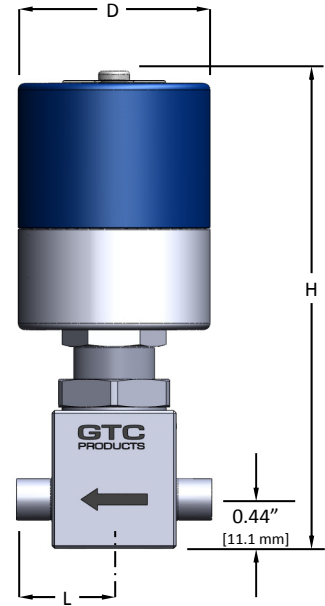
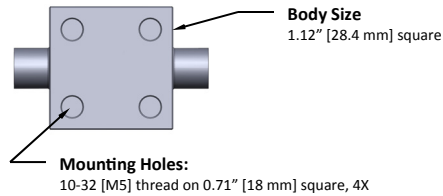
Technical Data

Specification	C3-HT	C3	C10	H10	C30	C40	P30	K10	K30
Actuation Type	Pneumatic N.C.	Pneumatic N.C.	Pneumatic N.C.	Hybrid - Manual 3/4 turn, LOTO, with Pneu-	Pneumatic N.C.	Pneumatic N.C.	Pneumatic N.O.	Manual 1/2 turn	Manual 1/2 turn LOTO
Actuation Port	1/16" FNPT	10-32	1/8" OD Tube	1/8" OD Tube	1/8" OD Tube	1/8" OD Tube	10-32 / M5	n/a	n/a
Actuation Pressure	70-120 psig	70-120 psig	70-120 psig	70-120 psig	70-120 psig	70-120 psig	70-120 psig	n/a	n/a
Operating Pressure	Vac-125 psig	Vac-150 psig	Vac-250 psig	Vac-250 psig	Vac-1500 psig	Vac-2,500* psig	Vac-1500 psig	Vac-500 psig	Vac-2,500* psig
Operating Temp	-40° to 400°F	-20° to 160° F (VespeI seat option: -20° to 300° F)							
Seat Material	PFA	PTFE (optional VespeI™)							
Flow Coefficient Cv	0.5								
Proof / Burst Pressure	150% / 300% of operating pressures								
Internal Volume	2.7 cc								
Helium Leak Rate	1 x 10 ⁻⁹ scc/s He								
Wetted Surface Finish	10 Ra Max Electropolished								
Wetted Surface Body	316L VAR Stainless Steel								
Wetted Surface Other	Diaphragm: Elgiloy™								

* VespeI seat option (-VS) increases pressure rating to 3300 psig.

Dimensions

Specification	C3-HT	C3	C10	C30	C40	P30	H10	K10	K30
Overall Height (H)	2.20"	2.10"	4.48"	5.21"	6.1"	4.82"	5.33"	3.16"	3.16"
Actuator Diameter (D)	1.12" sq.	1.12" sq.	1.50"	1.69"	2.50"	1.69"	1.50"	1.50"	1.75"
Tube Stub Length (L)	0.880" [22.3 mm]								
1/4" Hi-Flo Female FS (L)	1.39" [35 mm]								
1/4" Hi-Flo Male FS (L)	2.06" [52 mm]								
1/2" Female Face Seal (L)	1.49" [38 mm]								
1/2" Male Face Seal (L)	2.16" [55 mm]								



Ordering Information: C10-DV3-2A-TXTX-VS

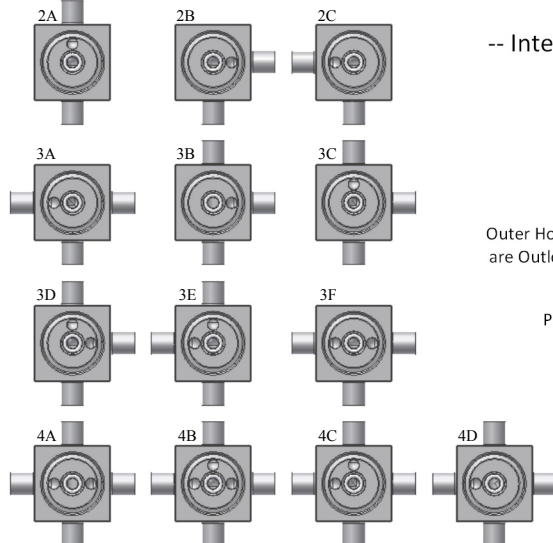
Actuator

- C3** - Low Pressure, N.C.
- C10** - Low Pressure, N.C.
- C30** - Med Pressure, N.C.
- C40** - High Pressure, N.C.
- P30** - Med Pressure, N.O.
- H10** - Low Pressure, N.C., with 3/4 Turn, LOTO
- K10** - Low Pressure, 1/2 Turn
- K30** - High Pressure, 1/2 Turn, LOTO

Body Series

- DV3** - High Flow

Porting



1 2 3 4
Ports

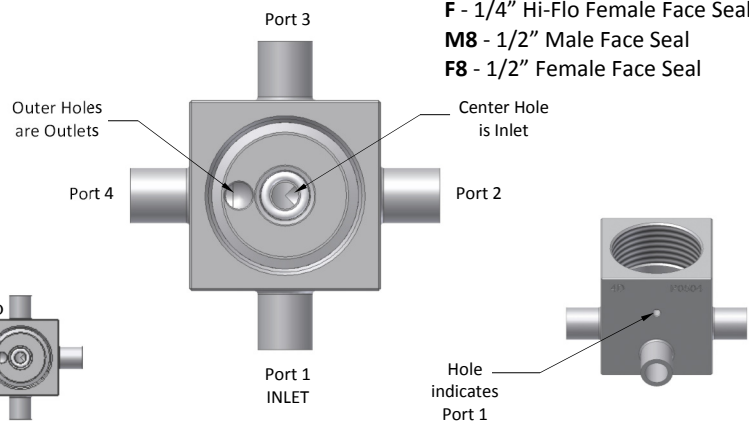
Options

- B5** - Bleed Seat
- FA** - PFA Seat (125 max psig)
- VS** - Vespel™ Seat
- HT** - High Temp Valve
- RS** - Reed Switch (for C10/C30/C40)
- BK** - Black Handle Color
- GR** - Green Handle Color
- RD** - Red Handle Color
- WH** - White Handle Color
- YW** - Yellow Handle Color

Connections

- X** - (No port)
- T** - 3/8" Tube Stub
- 4** - 1/4" Tube Stub
- 8** - 1/2" Tube Stub
- M** - 1/4" Hi-Flo Male Face Seal
- F** - 1/4" Hi-Flo Female Face Seal
- M8** - 1/2" Male Face Seal
- F8** - 1/2" Female Face Seal

-- Internal Top View --



GTC PRODUCTS

www.gtc-products.com