

CV4 Check Valves

“Chatter-Free” Bulk Flow Series



GTC Features

- *“Chatter-Free” Operation*
- *Manufactured to UHP Requirements*
- *Springless Design with All-Welded Construction*
- *Available in standard 1/4”, 3/8” and 1/2” size fittings*

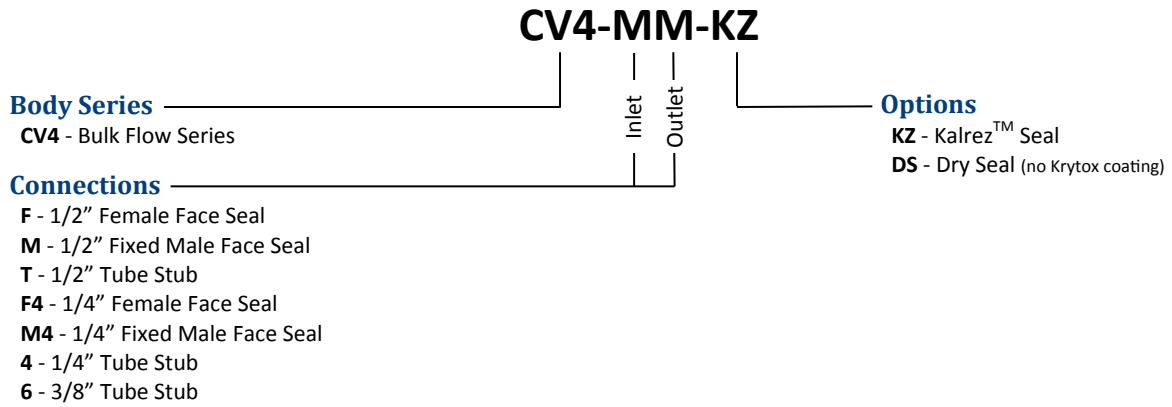
Technical Data

Specification	Value
Cracking Pressure	3 PSID Nominal (Note: up to 2 psi back pressure is required to reseal)
Operating Pressure	Vacuum to 3,000 PSIG
Proof / Burst Pressure	4,500 / 9,000 PSIG
Flow Coefficient Cv	1.0 (at full open)
Operating Temperature	-10° to 400° F (-23° to 204° C)
Material - Body	Electropolished 316L VAR SS (internal wetted @ 10 Ra average)
Material - Seal *	Cleanroom Grade Viton™ (Kalrez™ and EPDM optional)

* standard seal includes light coating of Krytox 206 for sealing improvement.

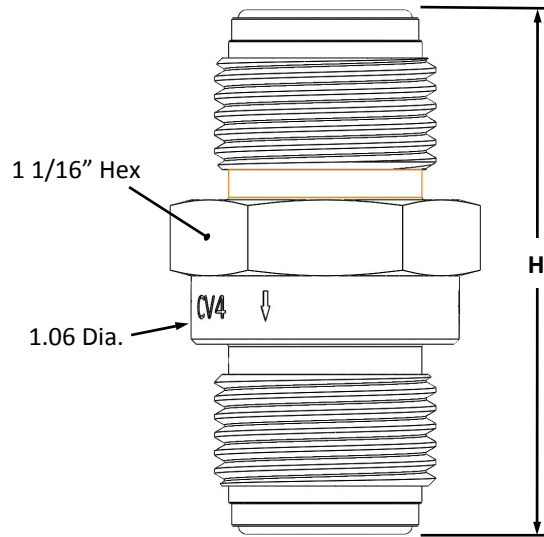


Ordering Information



Dimensions

Check Valve	Overall Height (H)
CV4-TT	1.24" [31 mm]
CV4-MM	2.06" [52 mm]
CV4-FM, -MF	2.26" [57 mm]
CV4-FF	2.46" [62 mm]
CV4-44, -66	1.25" [32 mm]
CV4-M4M4	1.81" [46 mm]
CV4-F4M4, -M4F4	2.12" [54 mm]
CV4-F4F4	2.43" [62 mm]



(CV4-MM Shown)



GTC PRODUCTS

www.gtc-products.com