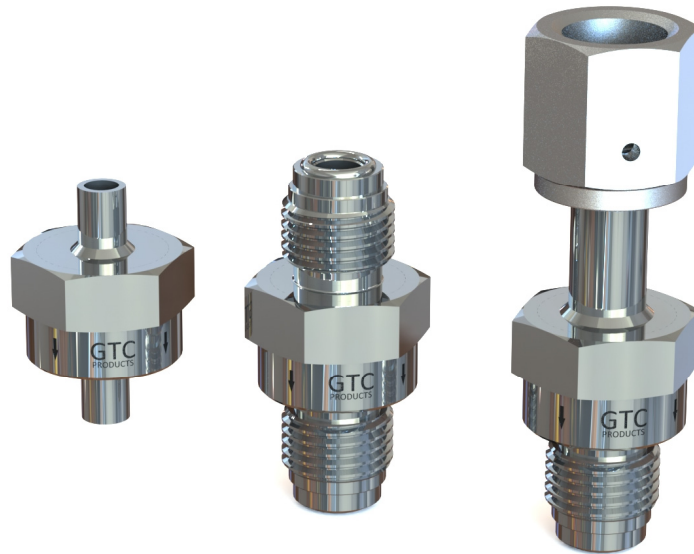


CV2 Check Valves

“Chatter-Free” Standard Flow Series



GTC Features

- *“Chatter-Free” Operation*
- *Manufactured to UHP Requirements*
- *Springless Design with All-Welded Construction*
- *Available in 1/4”, and 3/8” tube stub and fitting configurations*

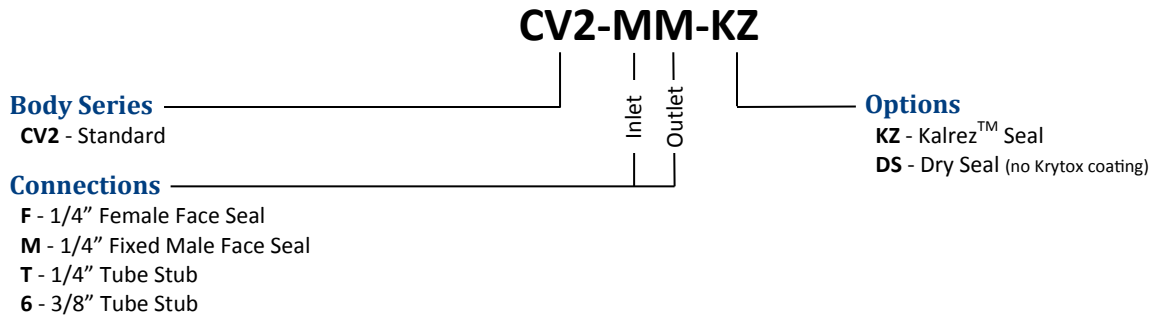
Technical Data

Specification	Value
Cracking Pressure	3 PSID Nominal (Note: up to 2 psi back pressure is required to reseal)
Operating Pressure	Vacuum to 3,300 PSIG
Proof / Burst Pressure	5,000 / 12,000 PSIG
Flow Coefficient Cv	0.31 (at full open)
Operating Temperature	-10° to 400° F (-23° to 204° C)
Material - Body	Electropolished 316L VAR SS (internal wetted @ 10 Ra average)
Material - Seal*	Cleanroom Grade Viton™ (Kalrez™ optional)

* standard seal includes light coating of Krytox 206 for sealing improvement.

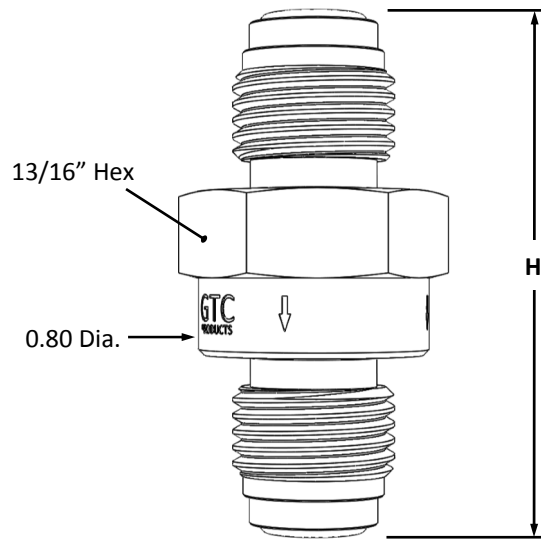


Ordering Information



Dimensions

Check Valve	Overall Height (H)
CV2-TT, -66	1.25" [32 mm]
CV2-MM	1.81" [46 mm]
CV2-FM, -MF	2.12" [54 mm]
CV2-FF	2.43" [62 mm]



(CV2-MM Shown)